

718E



TREE CARE HANDLER

WITH A REACH
OF UP TO 15 m

 123 kW

 21.4 t

 15 m

 **MAX**CAB

Stage **V**

718 E

The revolutionary.

Compact size

The 718 E impresses with its space-saving dimensions, a small rear swing radius and low operating weight – use on narrow forest paths or busy roads is no problem for the compact tree care handler.

Comfort

Viewing height 5.5 meters, cab tiltable by 30° and ergonomically optimized, air-sprung seat – for more comfort during intensive use.

Flexibility

Fast loading and easy to transport: with a transport weight of less than 22 tons, a 3-axle low loader trailer is sufficient to move the tree care handler. Optional road approval offers additional flexibility.



**CLICK HERE FOR THE
JOB SITE REPORT & VIDEO**

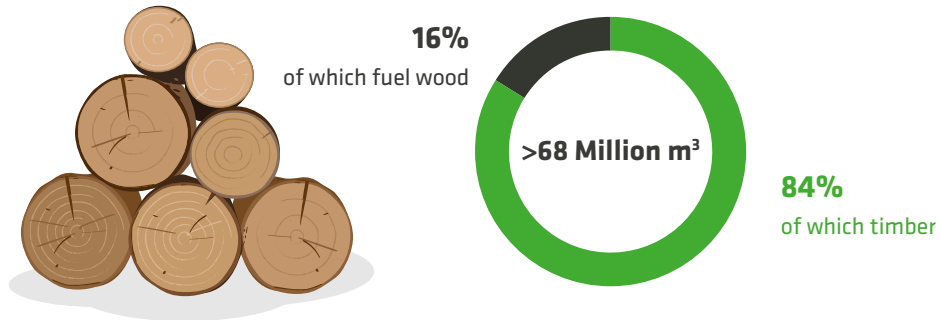


<https://bit.ly/3HtE16z>

Challenges in tree care

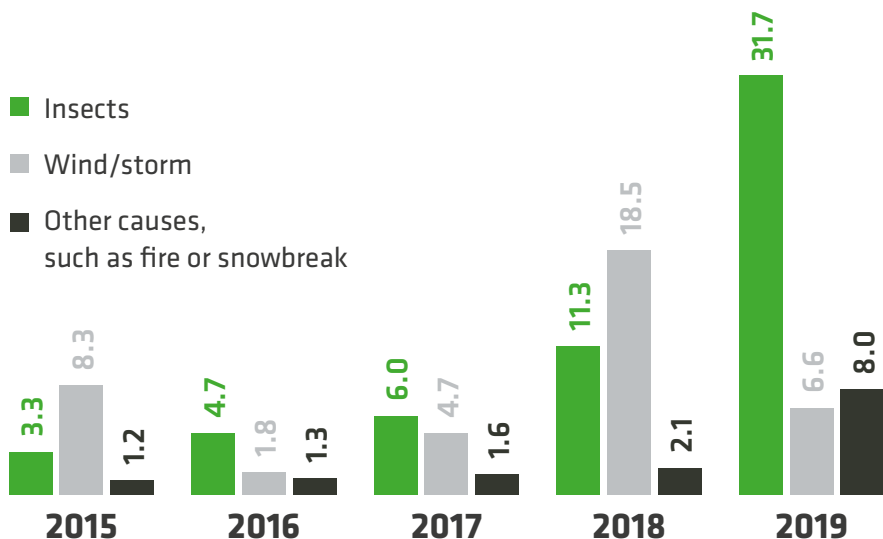
Almost 70 million cubic meters of wood were felled in Germany in 2019

Amount of wood harvested in 2019 (without bark)



Increase in high-risk timber handling in Germany

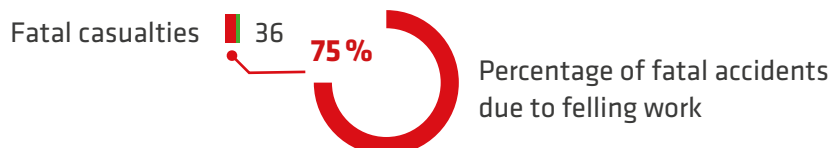
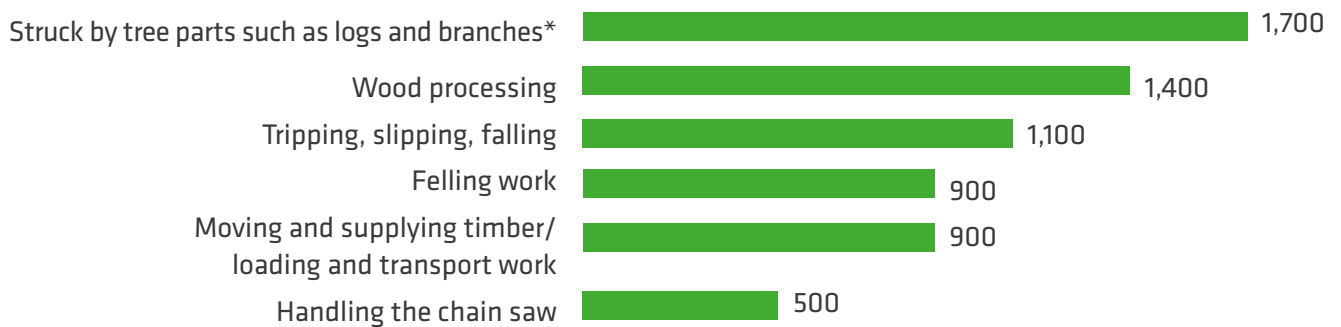
Damage-related timber handling in Germany by cause in million m³



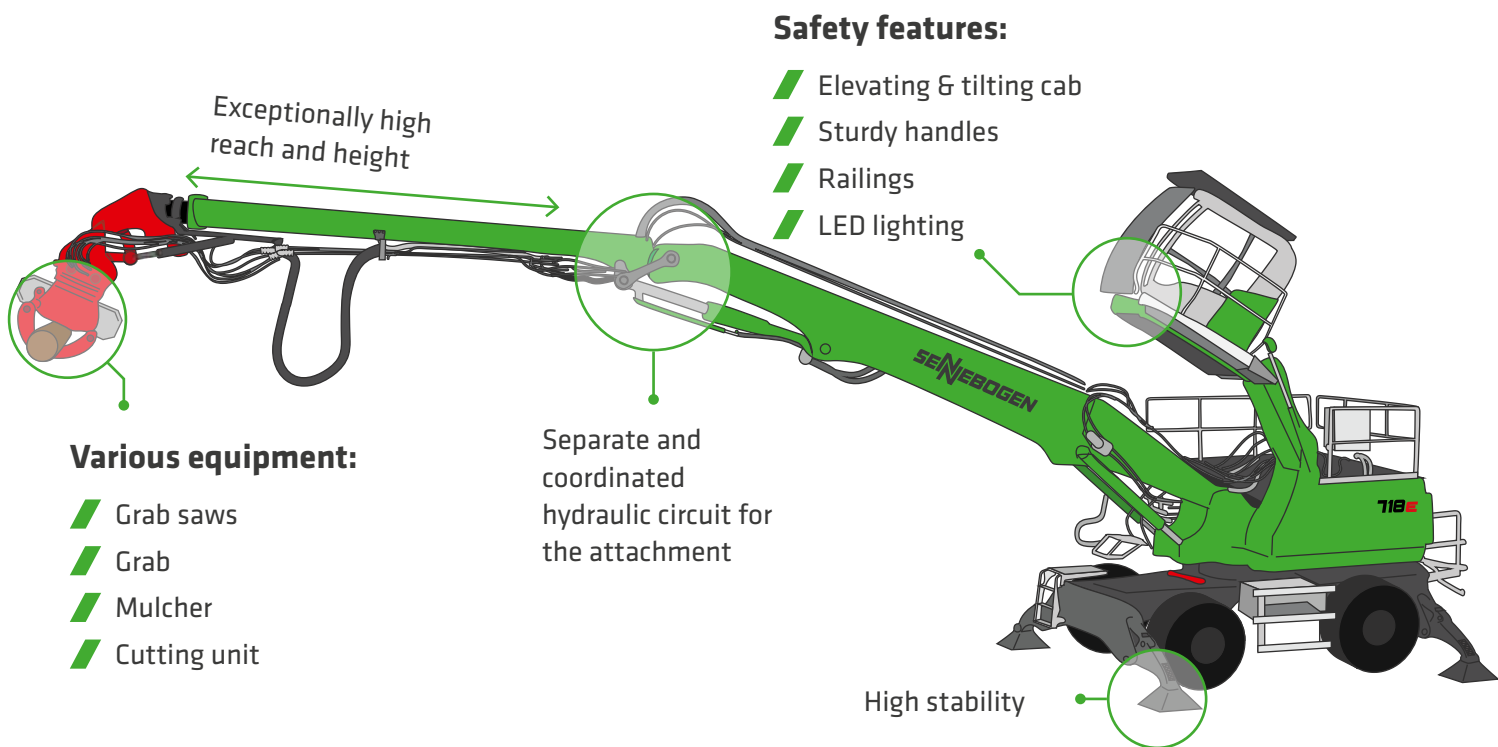
In 2019, there were **1,523 forest fires** in Germany

Felling work poses a major risk of occupational accidents

People suffering occupational accidents during forestry work in 2019 according to activity or cause of accident



The SENNEBOGEN 718 E compared to other felling techniques

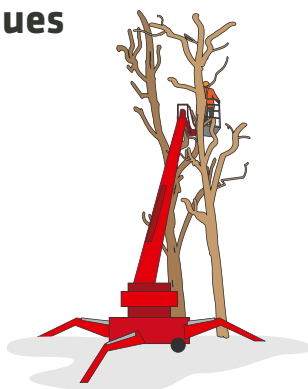


Disadvantages of alternative felling techniques



Rope climbing equipment/arborists

- ✓ Higher personnel costs
- ✓ Greater risk



Aerial work platforms

- ✓ Shorter range
- ✓ Little control when placing logs



Telescopic handler in combination with grab saw

- ✓ Unsafe standing
- ✓ Lower load capacities
- ✓ Less performance

Advanced. The E Series

LONG SERVICE LIFE, HIGH VALUE RETENTION

- Reliable and powerful thanks to its robust construction and high-quality components
- Temperature-controlled cooling system, designed and tested for heavy-duty applications and high ambient temperature

SOPHISTICATED, STATE-OF-THE-ART TECHNOLOGY

- In the 5th generation - decades of experience in designing and constructing material handlers



SIMPLE TO MAINTAIN AND SERVICE

- Temperature-controlled cooling system, designed and tested for heavy-duty applications and high ambient temperature

ENVIRONMENTALLY-FRIENDLY DRIVE TECHNOLOGY

- State-of-the-art engine, drive and emission systems in line with the latest technology standards (stage V)
- Large-scale pipes and valves for maximum efficiency

AN INVESTMENT THAT PAYS OFF.

The durability and reliability of the SENNEBOGEN Green Line is based on decades of experience in the design of high-quality crane and material handling technology. Thanks to their robust design and state-of-the-art technical standards, our timber machines offer product life cycles that set new standards on the market.



Durable and robust in extreme weather and harsh operating conditions, in sub-zero temperatures in Russia or in extreme heat in South Africa



Manageable and service-friendly technology for maximum machine availability



Consistent performance thanks to robust steel construction, and high-quality drive and control components from renowned manufacturers



The intelligent design ensures a low machine operating weight, resulting in reduced diesel consumption



With good maintenance, more than 25,000 operating hours possible in demanding continuous operation



FIND OUT MORE IN OUR WHITE PAPER "TREE CARE & LANDSCAPE MANAGEMENT"



SAFETY FIRST. IN TREE FELLING.

718 E with VOSCH grab saw



Full safety guard for the cab

Additional safety thanks to a robust all-round protective grating especially for use with timber



Stability

4-point outriggers or 2-point outriggers with stabilizer blade ensure high stability



Safe ascent and robust handles

Robust uppercarriage railing for high work safety during maintenance work



Powerful LED spotlights

for optimal illumination of the work area

Sliding door

Easier access to the cab through the side cab door and optional platform next to the cab

Optimal camera monitoring

of all safety-relevant areas*

* Cameras are installed as standard on the right-hand side and to monitor the rear area. Additional cameras, e.g. on the stick, are available on request.



MAXIMUM COMFORT.

Everything in view

The spacious cab provides an all-round view, allowing you to comfortably see your entire working area. The windshield of the cab runs right through to the floor panel so that the view to the front is unrestricted. Together with the two large side windows, this provides a panoramic view of the entire work area.

Easy control

The intelligent SENCON control system gives you quick and easy feedback on the machine's condition. Thanks to the intuitive user interface, it has never been easier to monitor energy consumption and utilization, control the desired working modes and contribute towards reducing operating costs.

For your health

Operators spend many hours in their working position. The back-friendly comfort seat, adjustable armrests, joysticks that sit comfortably in the hand, and the optimally arranged controls make daily work as easy as possible.

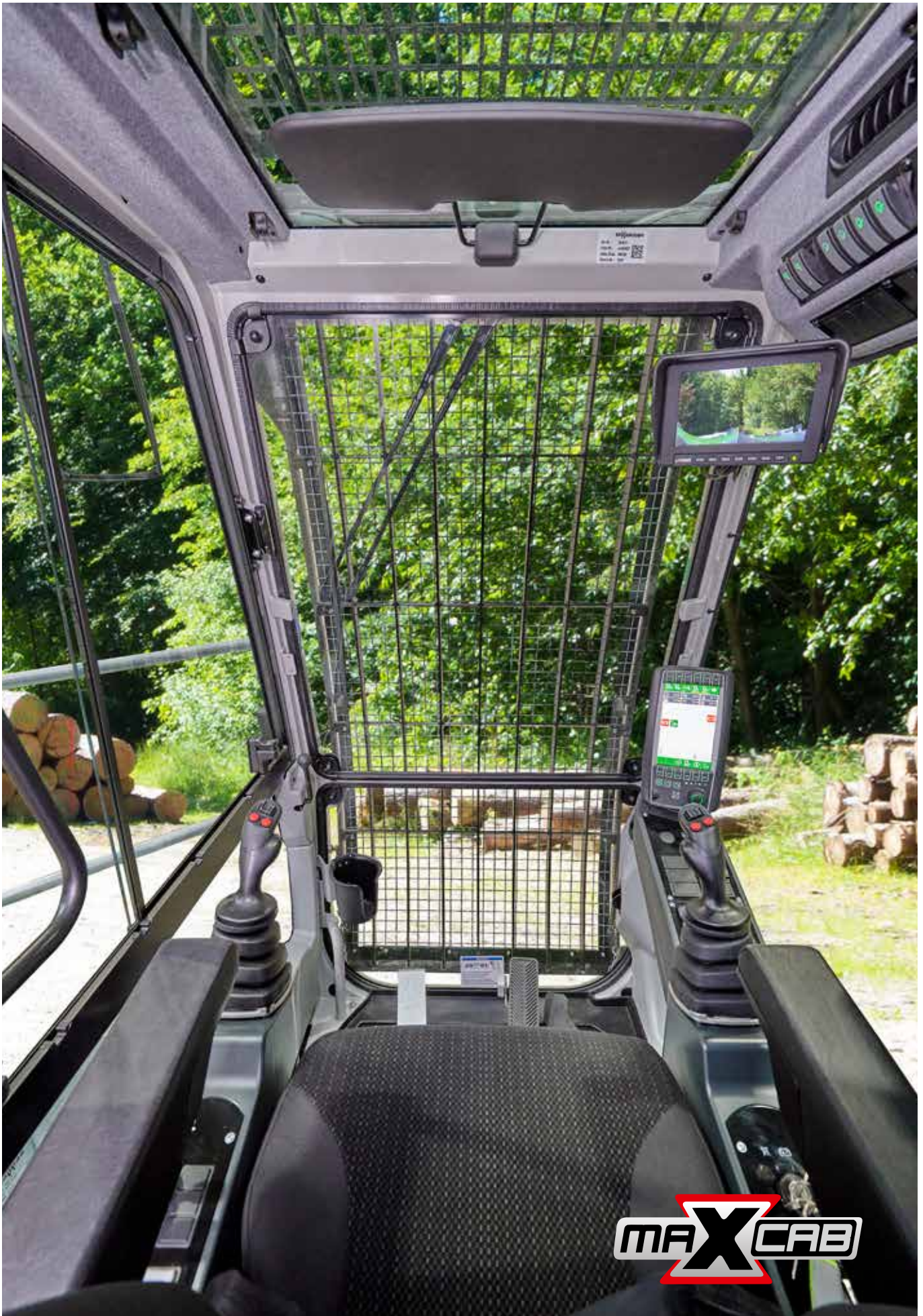
Pleasant indoor climate

Whether in warmer areas or processing timber in sub-zero temperatures, you can enter a work space with a comfortable temperature every day and concentrate on the essentials of work thanks to automatic heating and air conditioning.

“The operator comfort and safety features of the Maxcab ensure a long-term relaxed working environment.”

MATTHIAS ÜBELACKER,
Head of the Timber business unit





MAXCAB

PROFESSIONAL FLEET MANAGEMENT

SENtrack

1. Reduce service costs

The dashboard is used to monitor the machine and its main operating parameters (temperatures, consumption). If key figures deviate significantly from the target value, preventive maintenance can be arranged.

2. Reduce consumption

You will receive daily updated insights into your fleet processes: easily identify and optimize times when machines are idle or change set parameters when machines are underloaded to reduce consumption.

“What if you could receive real-time data from all your machines with just one click and so increase your productivity? SENNEBOGEN’s SENtrack telematic system makes this possible.”

3. Improve productivity

With just a few clicks, you can recognize and optimize machine capacity, and if necessary analyze routes and thus profitably develop your planning in tree maintenance or timber harvesting.

4. Safeguard your investment

Practical alarm messages inform you about critical machine conditions. In the event of irregular movements, the machine can also easily be deactivated remotely.



MAINTENANCE AND SERVICE.

KEEP IT SIMPLE. WITH MANAGEABLE TECHNOLOGY.



Reliable and practical technology makes life easier. Where electronics add no value, we rely on hydraulics and electrical systems.



We make you happy, not reliant. With cost-effective components and fewer process steps, you can take care of your own machine.



The most important components, such as the accumulator module or the distributor, are all easily accessible from a central point for straightforward checking and troubleshooting.



The SENCON control system supports you with diagnostics and makes troubleshooting easier. So your machine is back in action more quickly.



All maintenance and service points are clearly arranged and easily accessible. The clear labeling of components makes finding your way around easy.



718 E with WESTTECH Woodcracker



718 E with tree stump grinder in Australia



Tree felling with Albach grab saw



Traffic safety along motorways

TECHNICAL DATA, EQUIPMENT

MACHINE TYPE

MODEL (TYPE) 718

ENGINE

TYPE	<p>Stage V: Cummins B 4.5 Rated power: 123 kW/2200 rpm Operating point standard: 123 kW/2200 rpm Operating point ECO: 126 kW/2000 rpm</p> <p>Stage IIIa: Cummins QSB 4.5 Rated power: 119 kW/2200 rpm Operating point standard: 119 kW/2200 rpm Operating point ECO: 123 kW/2000 rpm</p> <p>Direct injection, turbocharged, intercooling, reduced emissions, Eco mode (1800 rpm), automatic idling, automatic stop after 5 minutes, fuel pre-warming</p>
COOLING	Water-cooled, cooling fan with automatic reversal at intervals
FUEL FILTER	Including electrically (24V) heated water separator
AIR FILTER	Dry filter with integrated pre-separator, automatic dust discharge, contamination indicator
FUEL	300 L
ADBLUE	30 l
ELECTRICAL SYSTEM	24 V
BATTERIES	2 x 150 Ah
OPTIONS	<p>Engine coolant preheating</p> <p>Electric fuel pump</p> <p>Jump start pole</p> <p>Batteries with increased capacity</p> <p>Battery preheating</p> <p>Additional cyclone pre-separator during increased dust load</p>

UPPERCARRIAGE

DESIGN	Torsion-resistant upper frame with end shields all the way from boom linkage to counterweight for optimized force transmission, precision-crafted, steel bushings for boom mounting. Lockable storage space, excellent design, very low noise emission values
CENTRAL LUBRICATION	Automatic central lubrication for work equipment and live ring track
ELECTRIC	Central electrical distributor, battery disconnect switch
COOLING SYSTEM	3-circuit cooling system with high cooling output, thermostatically regulated fan drive for oil cooler and water cooler, automatic cooling fan reversal for cleaning
SAFETY	<p>Camera, right and rear viewing area</p> <p>Emergency control to guarantee machine availability in restricted operation by bypassing the main functions</p>
OPTIONS	<p>Slew brake via foot pedal</p> <p>Bar graph pressure display</p> <p>Circumferential uppercarriage railing, folding for transport</p> <p>Light packages with LEDs</p> <p>Fire extinguisher</p> <p>Special paint finish (multi-colored), RAL standard</p> <p>Additional cameras</p> <p>Electrical Electrical hydraulic tank preheating</p> <p>Low temperature packages</p> <p>Platform with railing next to cab</p>

Optional: Lighting packages with LEDs; example of lighting on the railing



TECHNICAL DATA, EQUIPMENT

HYDRAULIC SYSTEM / HYDRAULICS

Load-sensing/ LDUV hydraulic system, hydraulically operated work functions

PUMP TYPE Swash plate-type variable-displacement piston pump, load pressure-independent flow distribution for simultaneous, independent control of work functions

PUMP CONTROL Zero-stroke control, on-demand flow control, pumps only pump oil according to actual consumption, pressure cut-off, load limit sensing control

SUPPLEMENTARY HYDRAULICS Large-scale supplementary hydraulics and additional piping to independently drive different equipment without impairing the main functions

DELIVERY RATE Main pump: 310 l/min
Supplementary: 182 l/min at 200 bar
Separate hydraulic pump for driving the equipment: up to 182 l/min at max. 250 bar

OPERATING PRESSURE Up to 350 bar

FILTRATION High-performance filtration with long change interval

HYDRAULIC TANK 410 l

CONTROL SYSTEM Proportional, precision hydraulic actuation of the work movements, 2 hydraulic servo joysticks for work functions, additional functions via switches and foot pedals

SAFETY Hydraulic circuits safeguarded with safety valves

Hydraulic accumulator for emergency lowering of equipment and cab when engine is at standstill

Pipe burst safety valves for stick cylinders and lift cylinders

OPTIONS Organic oil – environmentally friendly

Supplementary hydraulics package

SENNEBOGEN HydroClean micro-filter system (3 µm) with water separator

Pressure filter for separate variable displacement pump for equipment

Auxiliary section on main control block

ToolControl for controlling various equipment

Hydraulic preparation for equipment

SLEWING DRIVE

GEARBOX Planetary gears with axial piston engine, integrated brake valves

PARKING BRAKE Spring-loaded, hydraulically ventilated multi-disk safety brake

SLEWING RING Internal toothing, strong ball bearing slewing ring, sealed

TORQUE 50 kNm

SLEWING SPEED 0-8 rpm, variable. Hydraulic brake valves integrated into engine ensure wear-free braking

UNDERCARRIAGE

DESIGN Strong MP21E mobile undercarriage with combination of stabilizer blade and outriggers, hydraulically locking pendulum steering axle. Pendulum axle cylinder with pipe fracture safety valves

DRIVE All-wheel drive powered by two direct-mounted variable-displacement hydraulic engines incl. automatically operated brake valve. Strong planetary axles with integrated steering cylinders, 2-circuit multi-disk service brake, switch steering direction, switch driving direction

PARKING BRAKE Spring-loaded multi-disk brake

TIRES 600/50-22,5, 4-way single pneumatic tires

SPEED 0 - 20 km/h

OPTIONS 4-point outriggers

Set-up for trailer coupling

Travel drive protection

Individual outrigger control

Limited road approval

Mobile undercarriage with 4-point outriggers



TECHNICAL DATA, EQUIPMENT

CAB



CAB TYPE	E270 hydraulically elevating cab
CAB FEATURES	Automatic heating/air conditioning with central control unit, SENNEBOGEN SENCON control & diagnostic system Sliding door incl. sliding window, excellent ergonomics, seat heating, vibration damper, air-sprung comfort seat, windscreen made of bulletproof glass, fresh air/recirculated air filter, steering wheel with adjustable steering column

OPTIONS	Tiltable cab, 30° Carbon filter Auxiliary heating system with timer Active seat climate control Joystick controls Windshield wipers with wipe-wash function for front and rear windows Bulletproof glass in skylight Side and rear safety glazing made of polycarbonate Sunblind for skylight and windshield Platform next to railing (bolted) Protective roof grating FOPS protective roof grating Protective front guard Radio with USB port, MP3 and Bluetooth Protective cover for cab seat Special arrangement of joysticks and pedals Cooling box behind the operator's seat (electric)
---------	---



EQUIPMENT



DESIGN	Box design with large-scale mounting points for a long service life in sealed and dirt-protected design Very large-scale mounting points with low-maintenance, sealed special bushings, precision-crafted
RANGE	Up to 15 m with attachment
CYLINDERS	Special hydraulic cylinder with hydraulic end position damping, optimized kinematics for high lifting power The material handling attachment is specifically designed for high-performance applications
CENTRAL LUBRICATION	Automatic central lubrication system

OPERATING WEIGHT



MASS	Approx. 21,400 kg Basic 718 M including attachment
NOTE	Operating weight varies by model and equipment Subject to technical changes



A MODULAR DESIGN. NUMEROUS EQUIPMENT OPTIONS.

EQUIPMENT

Grab saws

Timber grab

Pruning shears

Mulcher

Cutting unit

Harvester unit



CAB



E270 (elevating)



E270 (elevating) + 30° tilt



UNDERCARRIAGE



Mobile, 4-point outriggers



Mobile, 2-point outriggers
with stabilizer blade



Crawler

LOAD RATINGS



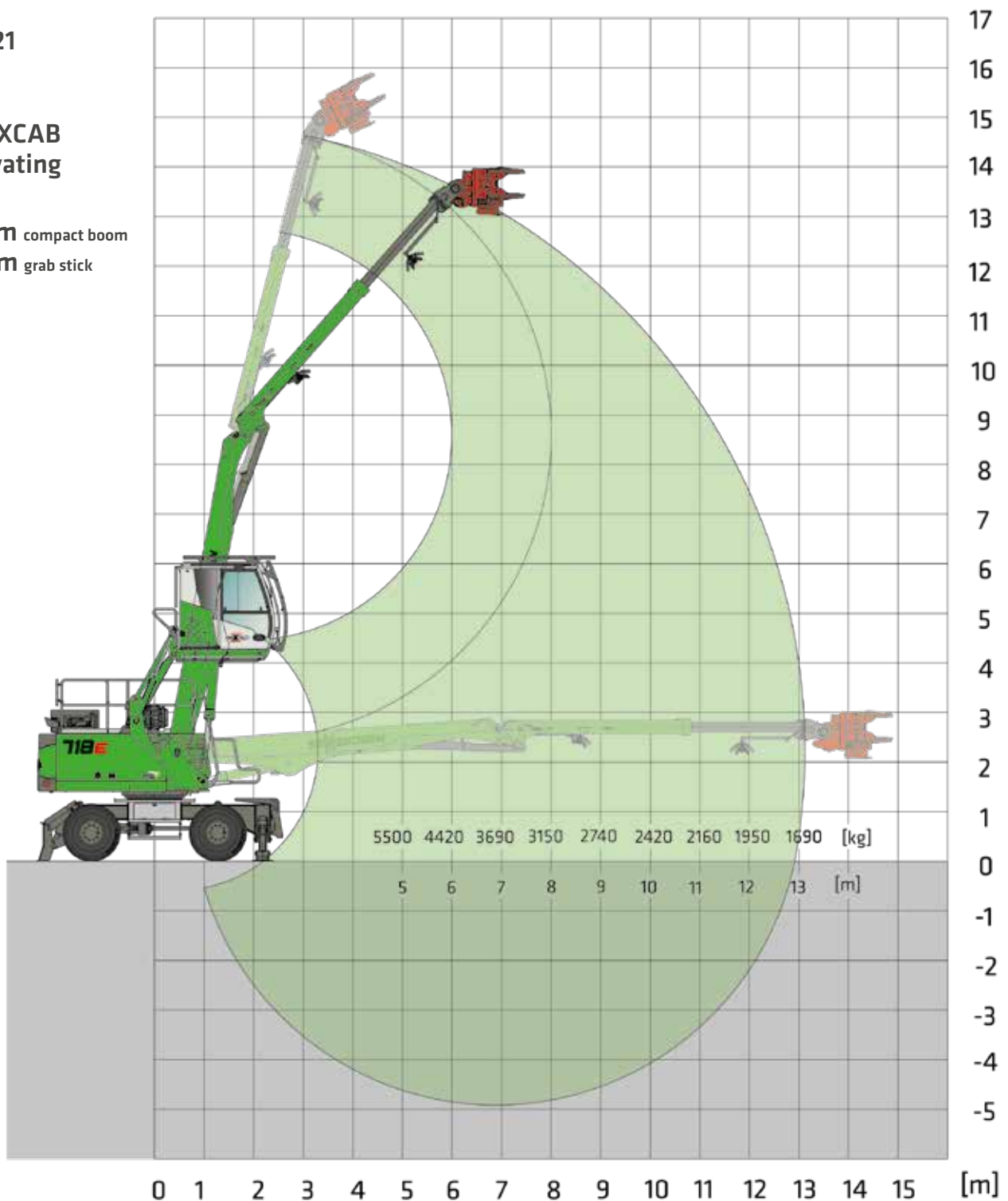
MP21



MAXCAB
elevating



6.5 m compact boom
4.2 m grab stick



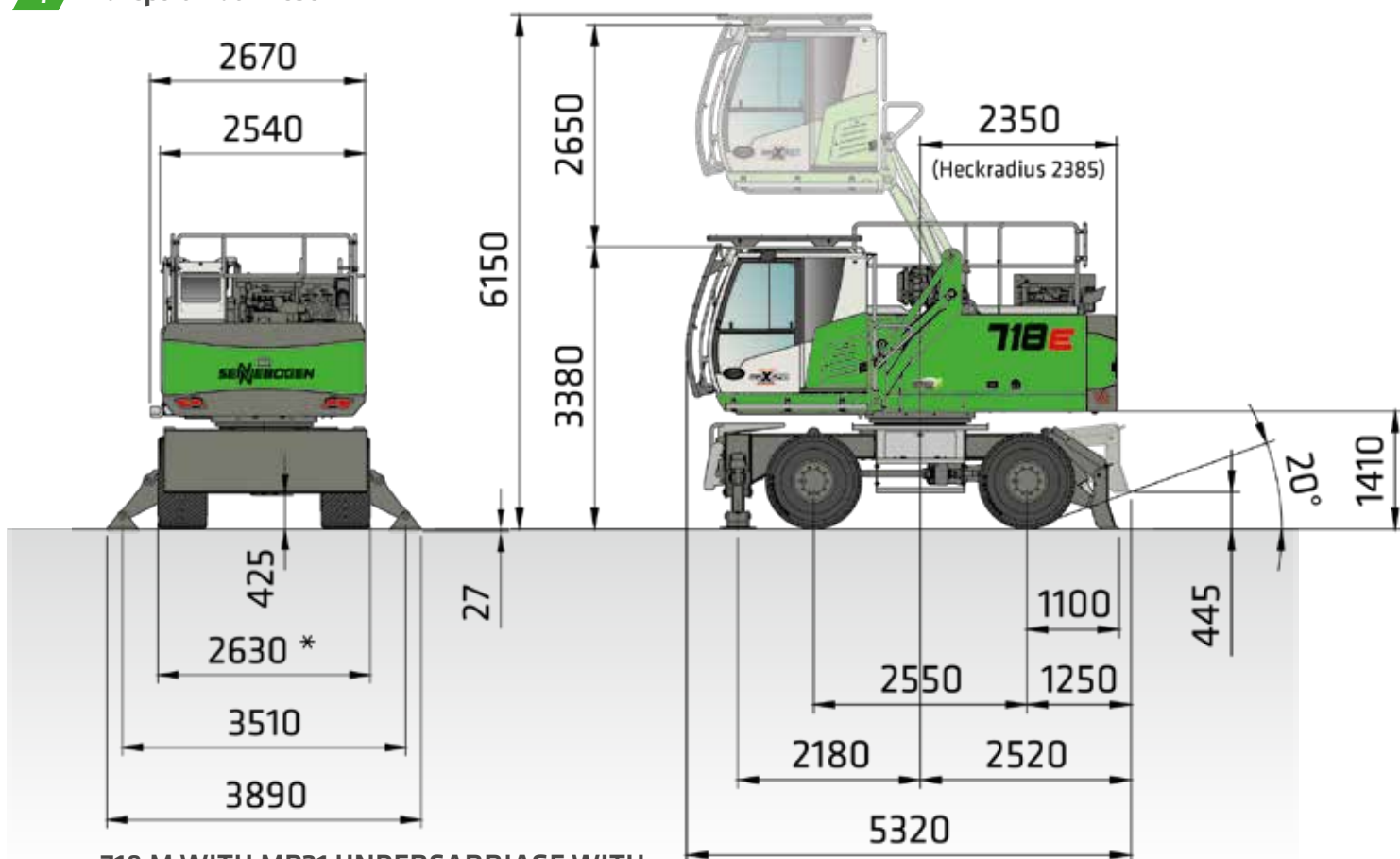
Machine shown in mirror image

Notes:

All load ratings are given in tons (t) brought to bear at the end of the stick without equipment on stable, firm and level ground. Equipment such as grabs, load hooks, etc. are part of the specified load ratings. The values given are valid for stationary use with a work area of 360°, on wheels, without supports and with blocked pendulum axles. The values in brackets [] are valid for stationary use with an uppercarriage as long as the undercarriage, on wheels, without supports and with blocked pendulum axles. In line with ISO 10567, they amount to 75 % of the static tipping load or 87 % of the hydraulic lifting force. The values in brackets () are valid for travel drive with an uppercarriage as long as the undercarriage, on wheels, without support, and on wheels with active pendulum axles. In line with DIN EN 474-5, they amount to 60 % of the static tipping load. If the machine is being used in stationary mode for lifting applications, as per DIN EN 474-5, it must be fitted with pipe fracture safety devices on the boom lifting cylinders and an overload warning device.

DIMENSIONS

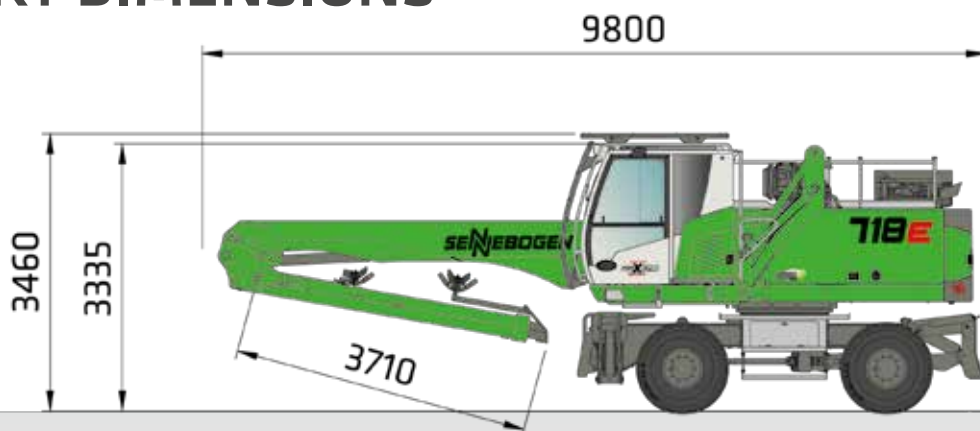
i Transport width: 2630 mm



718 M WITH MP21 UNDERCARRIAGE WITH 2-POINT OUTRIGGER AND STABILIZER BLADE AND TYPE E270 HYDRAULICALLY ELEVATING CAB

* including step (has to be removed for transport)

TRANSPORT DIMENSIONS

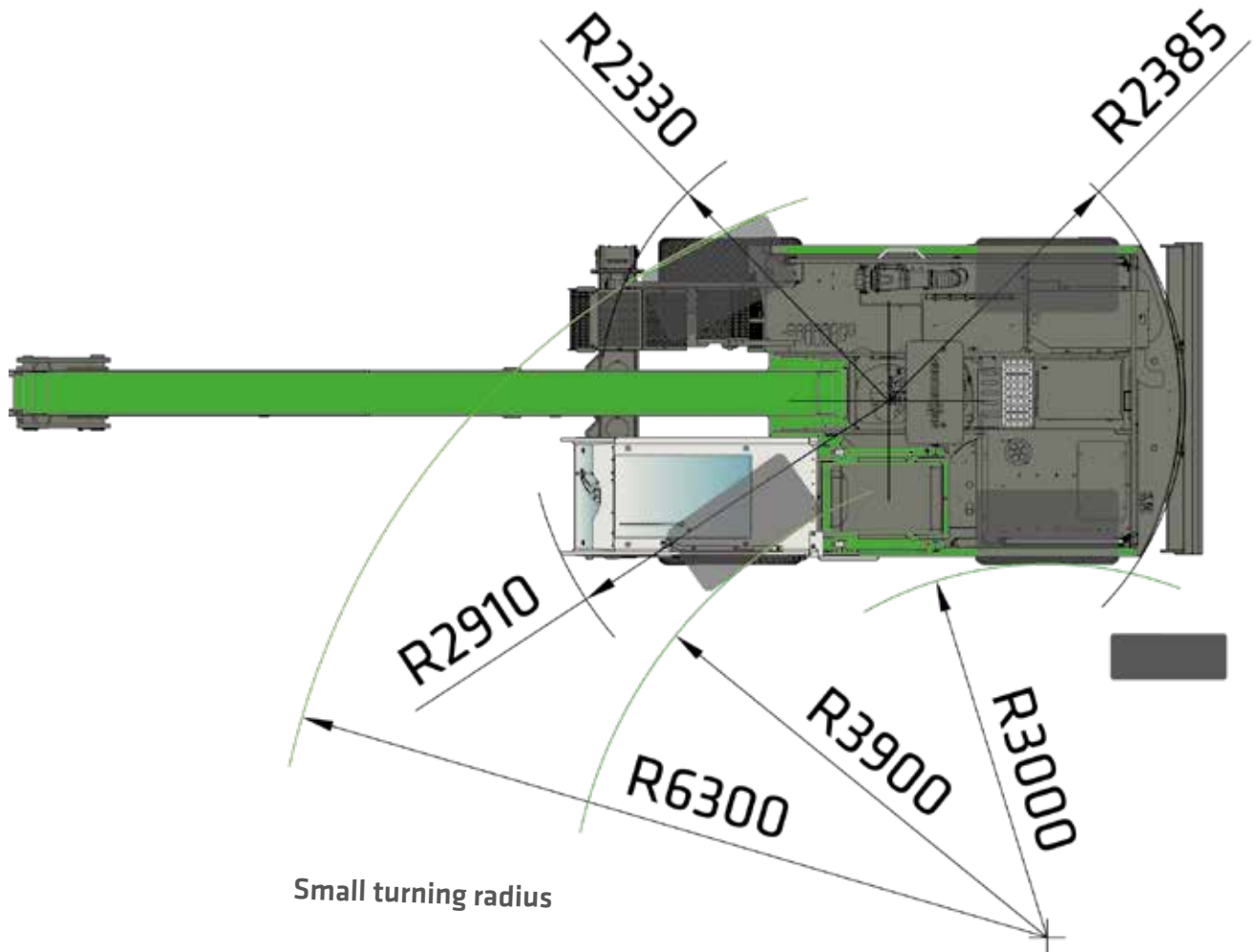


718 M TRANSPORT DIMENSIONS WITH K13 6.5 M COMPACT BOOM AND 4.2 M GRAB STICK + 2.05 M TELESCOPE

Dimensions in [mm]

Subject to technical changes.

TRANSPORT DIMENSIONS



718 M SLEWING RADIUS/TURNING RADIUS



Tree felling with VOSCH grab saw



Embankment maintenance with mulcher



Embankment maintenance with grab saw



SENNEBOGEN ACADEMY

Increase your knowledge because success is based on knowledge. In the SENNEBOGEN ACADEMY we place great importance on ensuring it flows powerfully.

➔ www.sennebogen-academy.com



SERVICE AND MAINTENANCE

Comprehensive customer service. And supply of spare parts. Service is a TOP priority for us.

➔ www.sennebogen.com/kundendienst



SENTRACK telematics

Efficient fleet management with SENtrack. Use information that would otherwise stay hidden and increase your efficiency.

➔ www.sennebogen.com/de/sentrack



RENTAL & USED

Discover the unique range of rental machines available from SENNEBOGEN Rental & Used. Find your rental machine here:

➔ www.sennebogen-rental-used.com

JOIN OUR OPERATORS' CLUB

The spotlight is on you and your machine! We focus on exclusive information, sharing experiences with other SENNEBOGEN operators as well as fun and enthusiasm.

All the benefits here ➔ www.sennebogen.com/fahrerclub



MOVE BIG THINGS - WITH US!



over **70**
years of
experience

100%
family company

over **1800**
experienced
specialists worldwide

4
production plants in
Germany

over **180**
sales and service partners
worldwide

26
different material
handlers



Telehandler
4-5.5 t

Balancer
130-300 t

Material handler
17-420 t

Duty cycle crane
13.5-300 t

Crawler crane
50-300 t

Telescopic crane
16-130 t

Port crane
300 t

This catalog describes machine models, the scope of equipment of individual models, and configuration options (standard equipment and optional equipment) of the machines delivered by SENNEBOGEN Maschinenfabrik GmbH. Machine illustrations may contain optional and supplementary equipment. Actual equipment may vary depending on the country to which the machines are delivered, especially in regard to standard and optional equipment. All product designations used may be trademarks of SENNEBOGEN Maschinenfabrik GmbH or other supplying companies, and any use by third parties for their own purposes may violate the rights of the owners.

Please contact your local SENNEBOGEN sales partner for information concerning the equipment variants offered. Requested performance characteristics are only binding if they are expressly stipulated upon conclusion of the contract. Delivery options and technical features are subject to change. All information is supplied without liability. Equipment is subject to change, and rights of advancement are reserved. © SENNEBOGEN Maschinenfabrik GmbH, Straubing, Germany. Reproduction in whole or in part only with written consent of SENNEBOGEN Maschinenfabrik GmbH, Straubing, Germany.

SENNEBOGEN
Maschinenfabrik GmbH
Hebbelstraße 30
94315 Straubing, Germany

 www.sennebogen.com

MOVE BIG THINGS

SALES SENNEBOGEN

Green Line Sales

 +49 (0) 9421 / 540 - 146

 materialhandling@sennebogen.de

SPARE PARTS CENTER

Spare parts orders

 spareparts@sennebogen.de

AFTER SALES

Technical support

 service@sennebogen.de

