

M 166S



FEATURES

- 6' x 16' (4.9m x 1.8m) Portable Incline Screen with Twin Screw Wash Plant

FEATURES AND BENEFITS

- 16' x 6' (4.9m x 1.8m) triple deck portable inclined two bearing screen with twin screw wash plant
- Double axle suspension portable chassis using heavy-duty I-beam construction with four cribbing support legs and two manual landing jacks
- Under-screen fines collection flume with water spray system on all screen decks, flume and washout
- Heavy duty twin 36" x 25' (0.9m x 7.6m) screw
- Manifold with valves and hoses
- Heavy duty discharge chute including a top deck over chute with discharge to the front of the plant; middle deck chute discharging to the side and bottom deck chute discharging to the opposite side
- Walkway access around three sides of the screen

SPECIFICATIONS

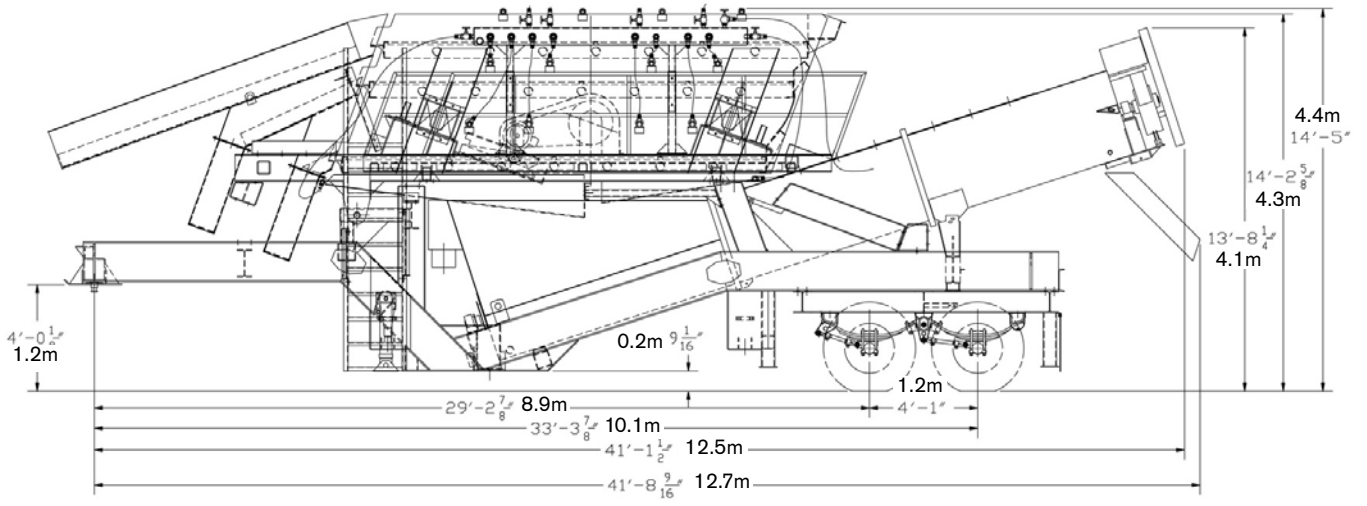
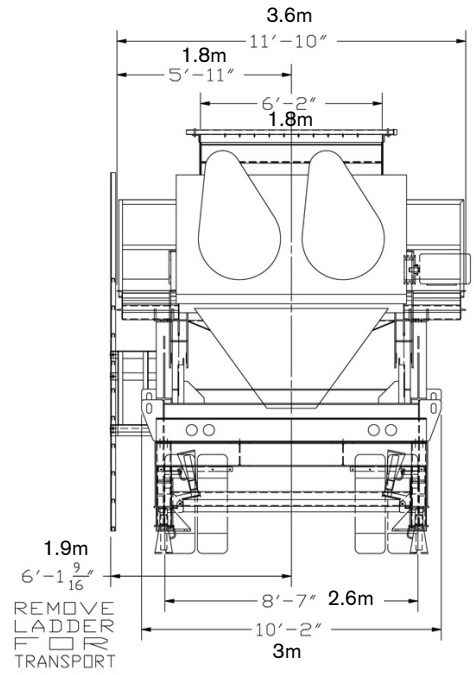
M 166S

TRAVEL HEIGHT	4.4m (14' 4")
TRAVEL WIDTH	3.6m (11' 10")
TRAVEL LENGTH	12.7m (41' 8")
TOTAL WEIGHT	25,854kg (57,000lbs)
KINGPIN WEIGHT	9,071kg (20,000lbs)
WEIGHT AT AXLES	16,782kg (37,000lbs)

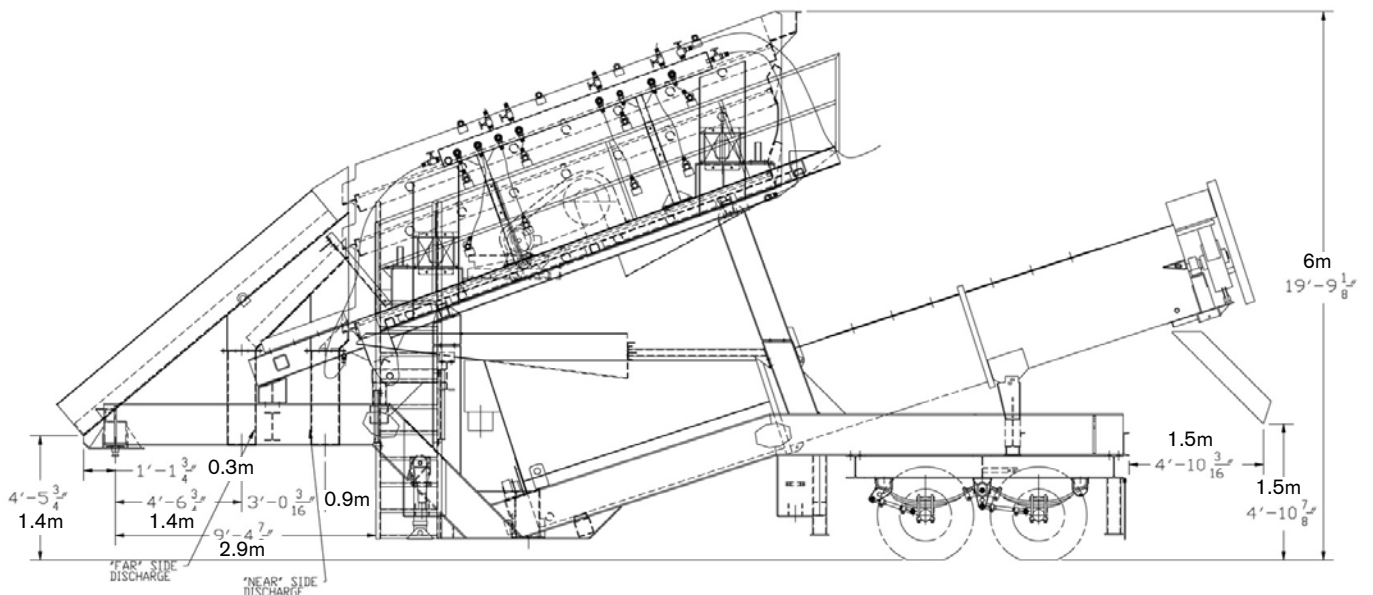


DIMENSIONS

M 166S TRANSPORT DIMENSIONS



M 166S TRANSPORT DIMENSIONS



TEREX WASHING SYSTEMS CONTACT DETAILS

Dungannon Site

200 Coalisland Road
Dungannon
Co. Tyrone
Northern Ireland
BT71 4DR

Tel: +44(0) 28 8771 8500

Email: TWS.sales@terex.com

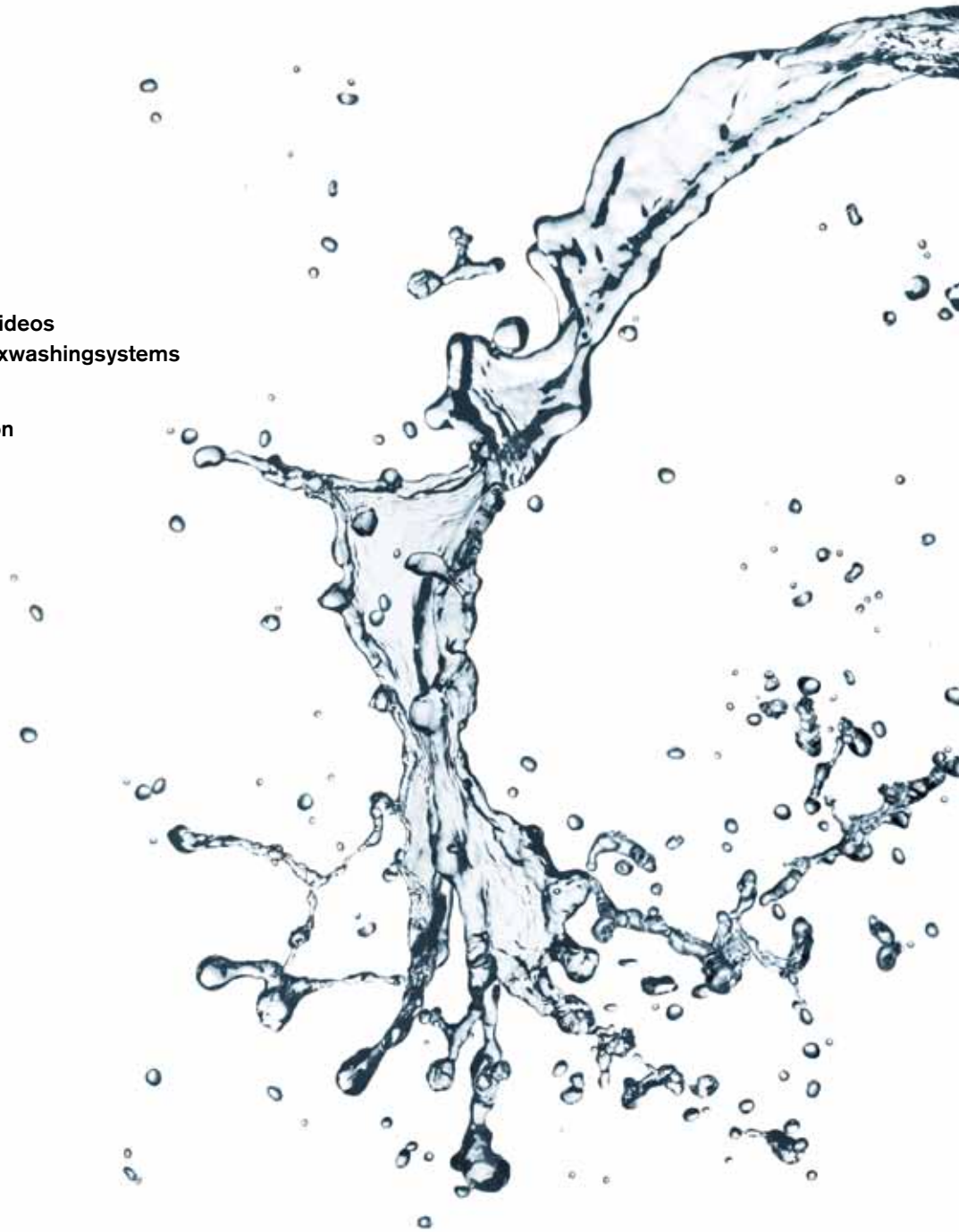
www.terex.com/washing

YouTube

Check out Terex Washing Systems videos
on YouTube: www.youtube.com/terexwashingsystems



www.facebook.com/TerexCorporation



Effective Date: July 2012 Product specifications and prices are subject to change without notice or obligation. The photographs and/or drawings in this document are for illustrative purposes only. Refer to the appropriate Operator's Manual for instructions on the proper use of this equipment. Failure to follow the appropriate Operator's Manual when using our equipment or to otherwise act irresponsibly may result in serious injury or death. The only warranty applicable to our equipment is the standard written warranty applicable to the particular product and sale and Terex makes no other warranty, express or implied. Products and services listed may be trademarks, service marks, or trade names of Terex Corporation and/or its subsidiaries in the USA and other countries. All rights are reserved. Terex is a registered trademark of Terex Corporation in the USA and many other countries. © 2010 Terex Corporation.



WORKS FOR YOU.™