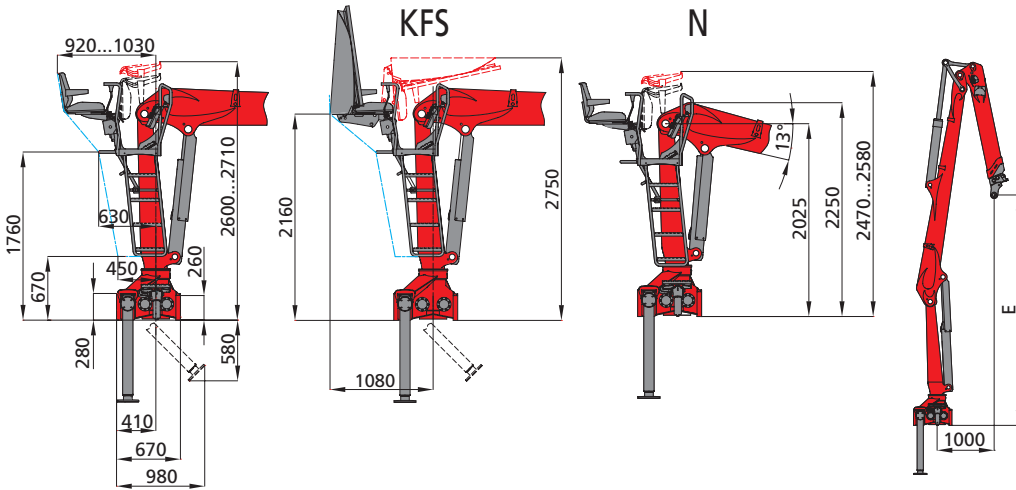
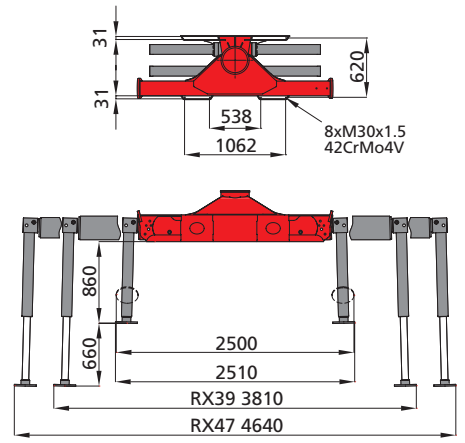
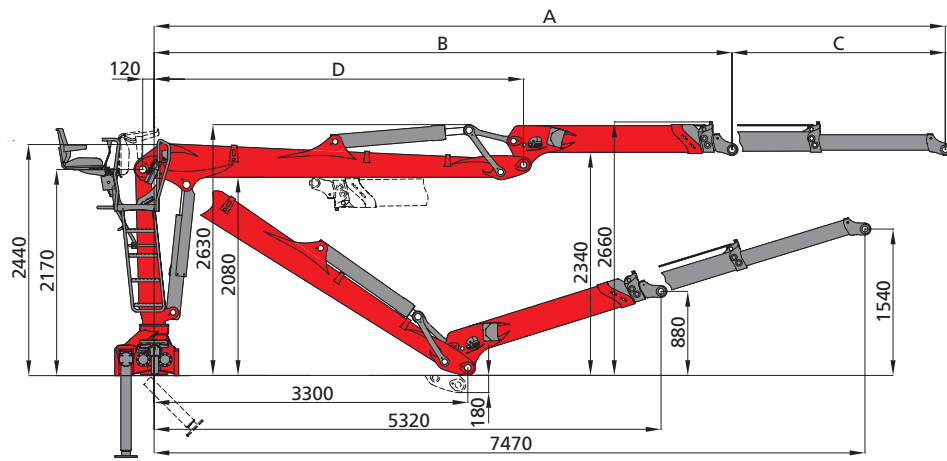
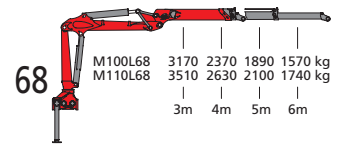
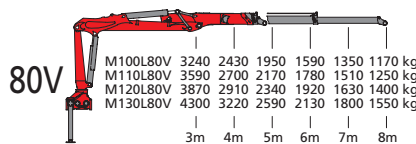
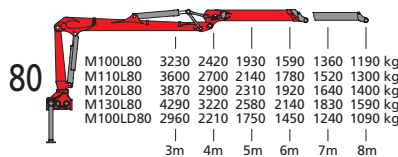
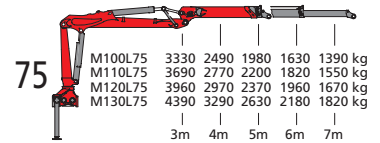
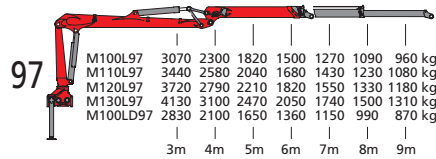
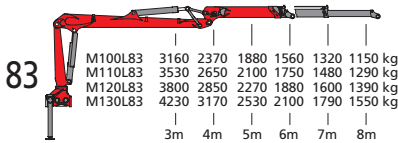


M100L  
M110L  
M120L / M130L HPLS  
M100LD





	83	80	97	80V	75	68
A	8300	7980	9680	7960	7500	6800
B	6060	6400	6520	4800	5260	4560
C	2240	1580	3160	3160	2240	2240
D	3880	3880	3880	3080	3080	2380
E	4030	3680	3560	3770	3280	2850



	M100L						M110L						M120L					M130L HPLS					M100LD		
	83	80	97	80V	75	68	83	80	97	80V	75	68	83	80	97	80V	75	83	80	97	80V	75	80	97	
ONROAD RECYCLING	[Red]																								
[Icon]	[kNm]	95	97	92	97	100	95	106	108	103	108	111	106	114	116	112	117	119	127	129	124	129	132	89	85
[Icon]	[kNm]	24						27						28					28					24	
[Icon]	[°]	425																							
[Icon]	[m]	8,3	8,0	9,7	8,0	7,5	6,8	8,3	8,0	9,7	8,0	7,5	6,8	8,3	8,0	9,7	8,0	7,5	8,3	8,0	9,7	8,0	7,5	8,0	9,7
[Icon]	[bar]	215						235						250					250 (280 HPLS)					200	
[Icon]	1K [l/min]	1 x 80																							
[Icon]	2K [l/min]	2 x 70																							
[Icon]	1K LS [l/min]	1 x 150																							
[Icon]	[kg]	2040	1990	2110	2080	1990	1950	2070	2020	2140	2110	2020	1980	2110	2060	2180	2150	2060	2120	2070	2190	2160	2070	2060	2180
[Icon]	RX39 [kN]	84						92						98					106					79	
[Icon]	RX47 [kN]	68						75						80					86					64	