

PK 78002 SH

THE DPS PLUS FOR HIGH OUTREACH AS WELL AS FOR HEAVY DUTY OPERATION

LIFETIME EXCELLENCE



LIFETIME EXCELLENCE

PALFINGER loader cranes are convincing due to their superior life-cycle performance. They are the most economical and also the most reliable over the entire product life. From solution finding to resale.

- **Better solutions**
- **Better efficiency**
- **Better ergonomics**
- **Higher availability**
- **More reliability**
- **Better ecology**
- **Higher serviceability**
- **Higher value retention**



UNBEATABLE POWER-TO-WEIGHT-RATIO

- Maximum reliability due to PAL 150
- More efficiency with fly jib due to DPS Plus
- Increased operating times due to low-maintenance extension system
- Practical and attractive due to Functional Design
- Continuous slewing for increased efficiency and speed





PERFECT TOOL WITH SOPHISTICATED KINEMATICS

12 Highlights



Continuous slewing system

Unrestricted movement

More efficient in operation due to faster loading cycles, since the crane can be slewed over a shorter distance. The crane works more efficiently and faster.



Power Link Plus

High variety of uses

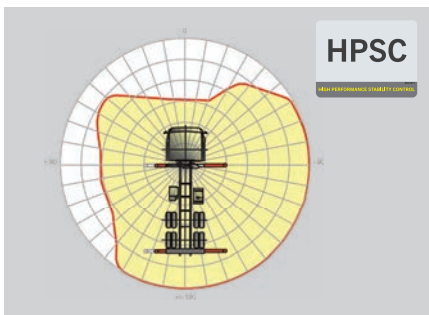
With the 15-degree reverse linkage system, you can reach through low door openings and also work inside buildings. Heavy crane work – even in difficult conditions.



Low-maintenance extension system

Reduces service time

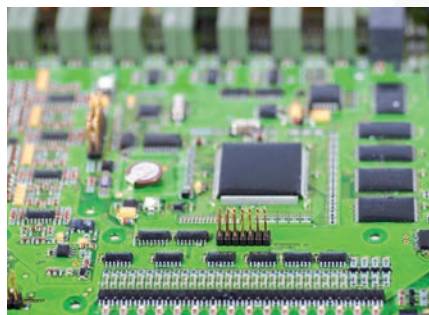
With sliding elements made of synthetic material and the high-quality KTL coating, this boom system significantly simplifies service performed by the operator. This saves time and money – and protects the environment.



HPSC

Maximum utilisation of the working range

The variable stabiliser positioning of the High Performance Stability Control System makes it possible to utilise the lifting capacity to the maximum. It enables working within tight spaces.



S-HPLS

More lifting power when it is really needed

S-HPLS is one of the most important functions of the PALTRONIC 150. It is a fully automatic system for increasing the lifting power. Depending on the need, there is continuous adaptation of the lifting power and speed of the crane.



PALcom P7

Communication with the operator

The new PALcom P7 features a modern, ergonomic design. The centrally located knob „PALdrive“ and a large colour display enables easy and safe operation.



Power Link cable winch

More comfort in cable winch operation

Characterised by low installation height, it is ideal for working inside buildings and transports with the crane boom unfolded. The Comfort Cable Routing reduces set-up times to a minimum.



Functional design

Practical and attractive

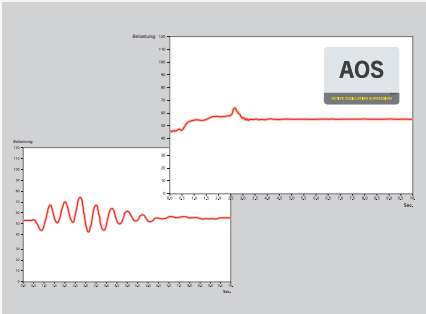
Robust plastic covers protect crane parts against dirt and damage. Better appearance and increased operational comfort – during the entire lifetime.



Coating technology

Top quality surface protection at a glance

The KTL coating lays the foundation for a perfect surface protection. Afterwards the components are either coated in the powder-coating facility or are finished with a two-components-topcoat. High value retention and excellent corrosion protection for the whole life of a crane.



AOS

Maximum precision and safety

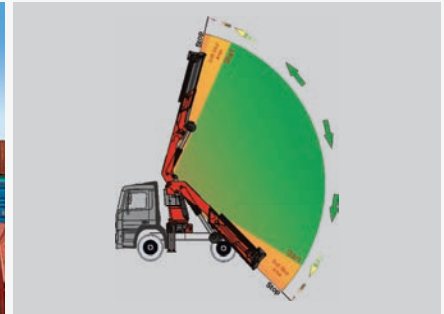
The active oscillation suppression system prevents „post-oscillation“ in the event of rapid braking or load changes. The stress peaks on the extension boom system are reduced and material fatigue and wear are minimised. This increases the resale value.



DPS Plus

More efficient fly-jib operation

The Dual Power System allows multiple uses of the crane both for large outreaches as well as for heavy load operation.



Soft Stop function

More comfort and safety

The Soft Stop function is an electronic limit position damper. It causes gentle braking of all crane movements before the limit position is reached. Hence, jerky movements and load impacts can be avoided. The crane can be operated more gently and precisely.



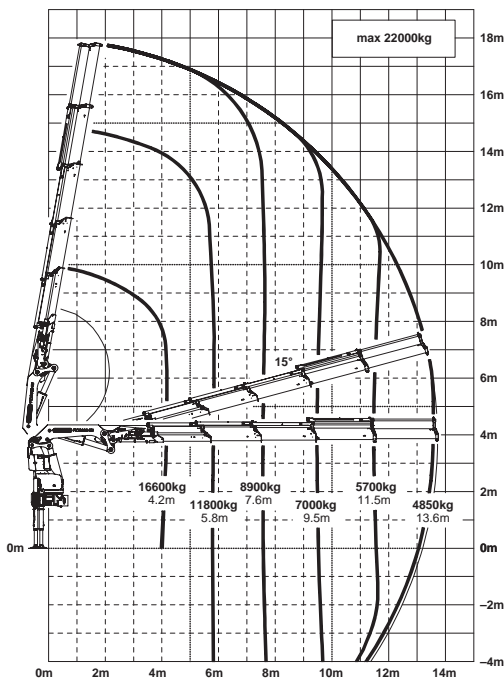
*Optional features / country-specific equipment

PK 78002 SH

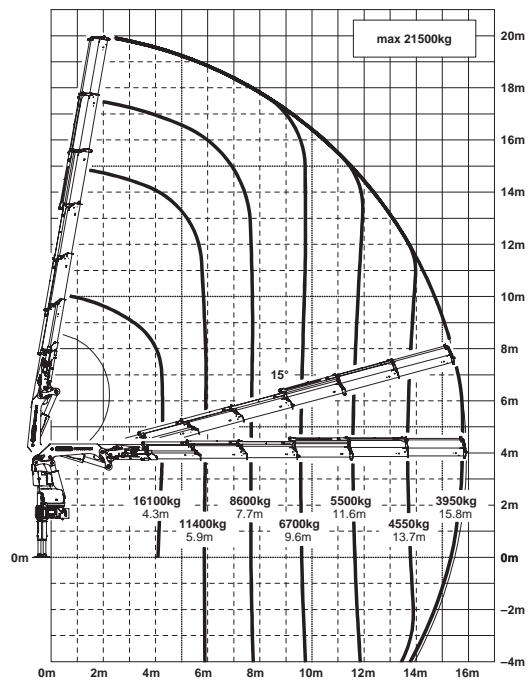
HIGH PERFORMANCE

More lifting power when it is really needed.

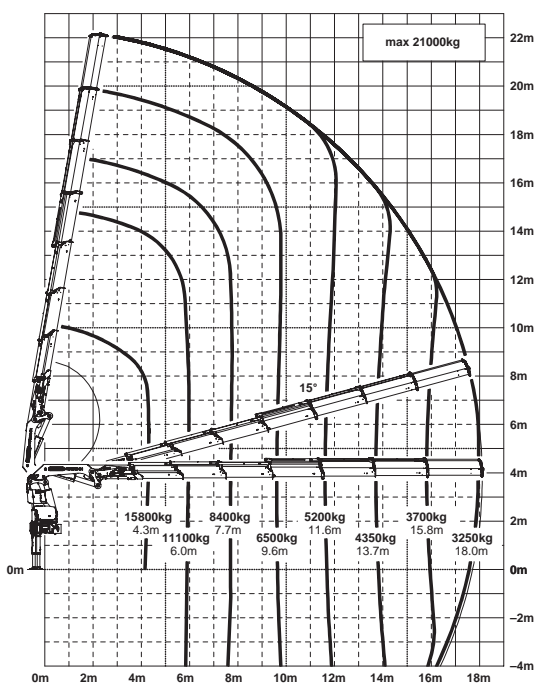
D



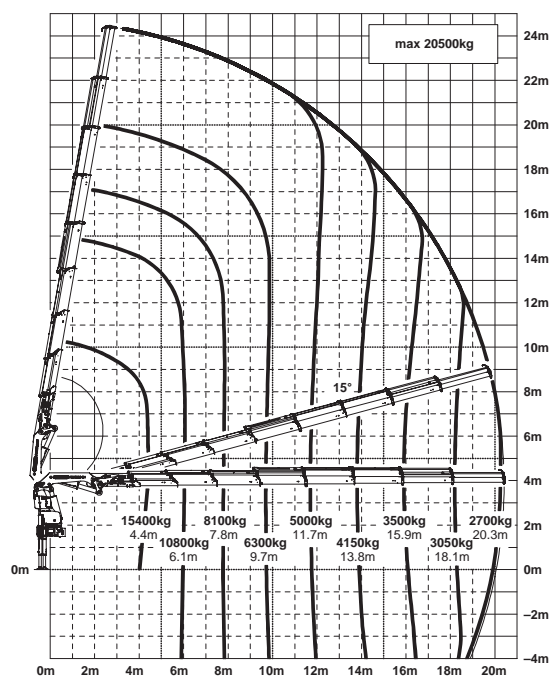
E



F



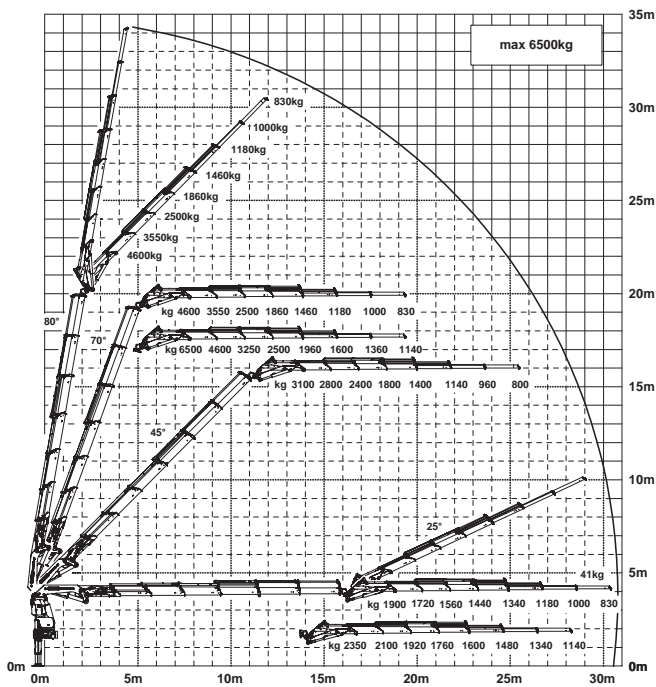
G



The outreaches stated are with a boom angle of 20° and are therefore not the maximum.

Lifting capacities

E PJ170E JV1 DPS PLUS



max.		23000 kg	50700 lbs	A
4.0 m	13' 1"	17900 kg	39500 lbs	
5.7 m	18' 8"	12900 kg	28400 lbs	
7.4 m	24' 3"	10000 kg	21900 lbs	

max.		23000 kg	50700 lbs	B
4.1 m	13' 5"	17600 kg	38700 lbs	
5.7 m	18' 8"	12600 kg	27700 lbs	
7.5 m	24' 7"	9600 kg	21200 lbs	
9.4 m	30' 10"	7700 kg	17000 lbs	

max.		23000 kg	50700 lbs	C
4.1 m	13' 5"	17300 kg	38100 lbs	
5.7 m	18' 8"	12300 kg	27100 lbs	
7.5 m	24' 7"	9400 kg	20600 lbs	
9.4 m	30' 10"	7400 kg	16300 lbs	
11.4 m	37' 5"	6100 kg	13500 lbs	

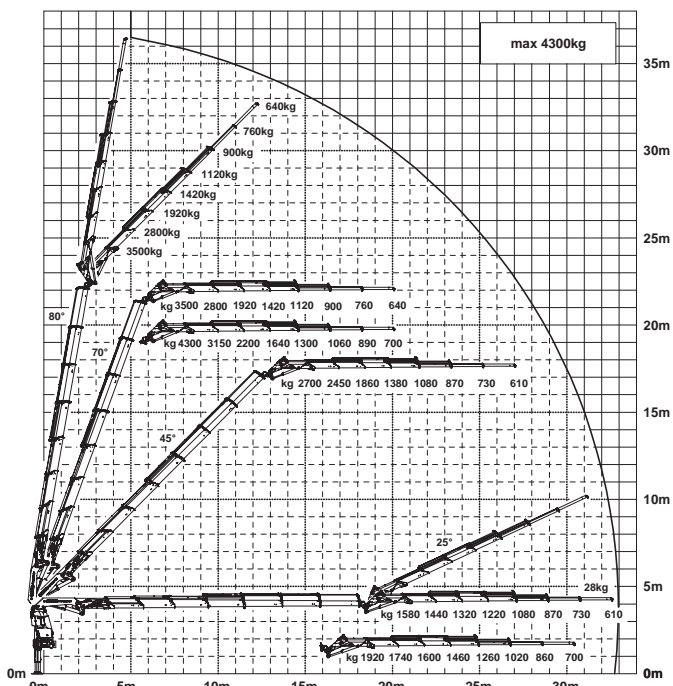
max.		22000 kg	48500 lbs	D
4.2 m	13' 9"	16600 kg	36600 lbs	
5.8 m	19' 0"	11800 kg	26000 lbs	
7.6 m	24' 11"	8900 kg	19600 lbs	
9.5 m	31' 2"	7000 kg	15500 lbs	
11.5 m	37' 9"	5700 kg	12600 lbs	
13.6 m	44' 7"	4850 kg	10600 lbs	

max.		21500 kg	47400 lbs	E
4.2 m	14' 1"	16100 kg	35500 lbs	
5.9 m	19' 4"	11400 kg	25100 lbs	
7.6 m	25' 3"	8600 kg	18900 lbs	
9.5 m	31' 6"	6700 kg	14800 lbs	
11.5 m	38' 1"	5500 kg	12000 lbs	
13.6 m	44' 11"	4550 kg	10000 lbs	
15.7 m	51' 10"	3950 kg	8700 lbs	

max.		21000 kg	46300 lbs	F
4.3 m	14' 1"	15800 kg	34800 lbs	
6.0 m	19' 8"	11100 kg	24600 lbs	
7.7 m	25' 3"	8400 kg	18400 lbs	
9.6 m	31' 6"	6500 kg	14300 lbs	
11.6 m	38' 1"	5200 kg	11500 lbs	
13.7 m	44' 11"	4350 kg	9600 lbs	
15.8 m	51' 10"	3700 kg	8200 lbs	
18.0 m	59' 1"	3250 kg	7200 lbs	

max.		20500 kg	45200 lbs	G
4.4 m	14' 5"	15400 kg	33800 lbs	
6.1 m	20' 0"	10800 kg	23900 lbs	
7.8 m	25' 7"	8100 kg	17800 lbs	
9.7 m	31' 10"	6300 kg	13800 lbs	
11.7 m	38' 5"	5000 kg	11000 lbs	
13.8 m	45' 3"	4150 kg	9100 lbs	
15.9 m	52' 2"	3500 kg	7700 lbs	
18.1 m	59' 5"	3050 kg	6700 lbs	
20.3 m	66' 7"	2700 kg	6000 lbs	
22.6 m*	74' 2"	1900 kg	4200 lbs	
24.9 m*	81' 8"	1200 kg	2650 lbs	

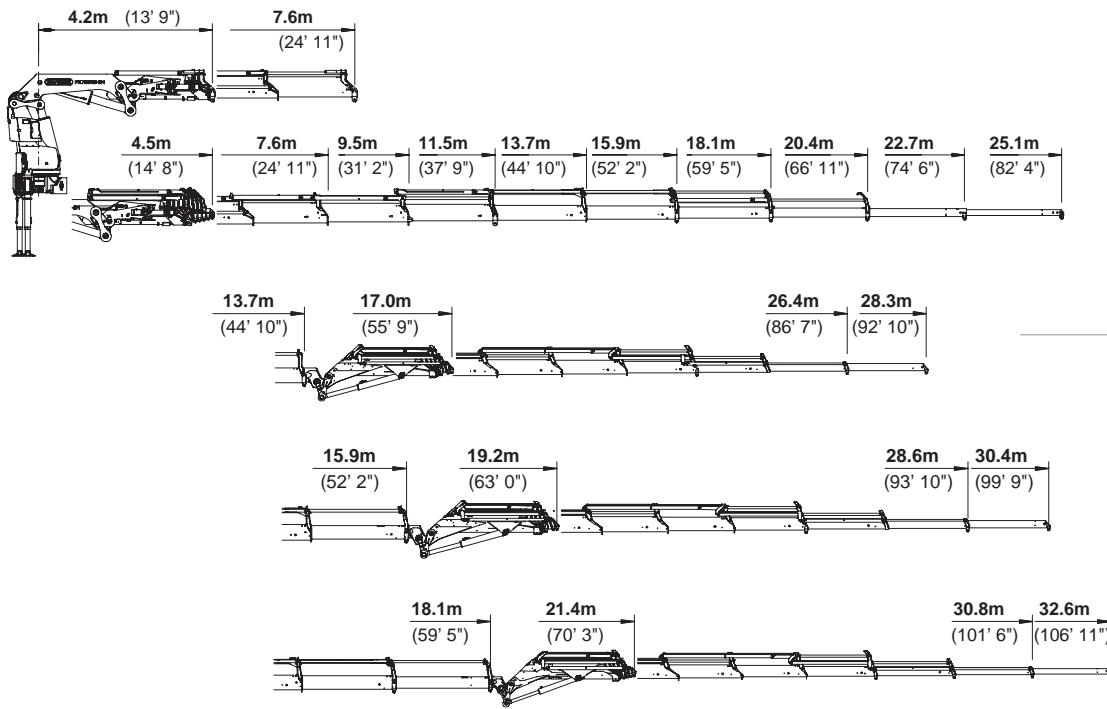
F PJ125E JV1 DPS PLUS



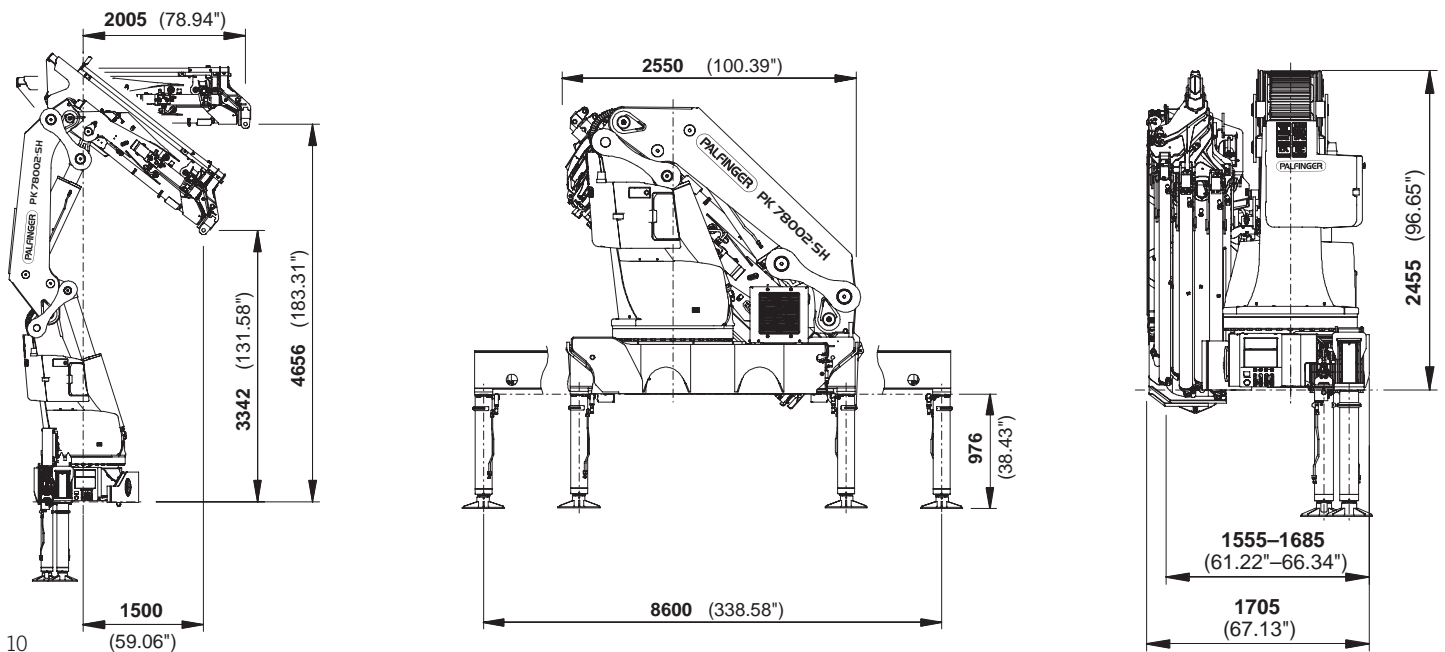
*mechanical extension

PERFECT DIMENSIONS

EXTENSION BOOM VARIATIONS



DIMENSIONS



Technical specifications

EN 12999 HC1 HD5/B3

PK 78002 SH

Max. lifting moment	74.7 mt/732.6 kNm	540290 ft.lbs
Max. lifting capacity	25000 kg/245.3 kN	55120 lbs
Max. hydraulic outreach	20.4 m	66' 11"
Max. manual outreach	25.1 m	82' 4"
Max. outreach (with fly-jib)	32.6 m	106' 11"
Slewing angle	continuously variable	

D PJ170E JV1

Slewing torque with 1 gear	4.5 mt/44.1 kNm	32560 ft.lbs
Slewing torque with 2 gears	7.0 mt/68.7 kNm	50640 ft.lbs
Stabiliser spread	8.6 m	28' 3"
Fitting space required (std.)	min. 1.56 m/5' 1"	max. 1.71 m/5' 7"
Width folded	2.55 m	8' 4"

E PJ170E JV1 DPS PLUS

Max. operating pressure	365 bar	5293 psi
Recommended pump capacity	from 100 l/min to 120 l/min	26.4 US gal./min 31.7 US gal./min
Dead weight (std.)	5908 kg	13020 lbs

F PJ125E JV1 DPS PLUS



KP-HPK78002SM2+EN

Cranes shown in the leaflet are partially optional equipped and do not always correspond to the standard version. Country-specific regulations must be observed. Dimensions may vary. Subject to technical changes, errors and translation mistakes.