

PK 34002 SH

FUNCTIONAL DESIGN AND THE LATEST CONTROL TECHNOLOGY SET STAND- ARDS IN OPERATOR FRIENDLINESS AND COMFORT

LIFETIME EXCELLENCE



LIFETIME EXCELLENCE

PALFINGER loader cranes are convincing due to their superior life-cycle performance. They are the most economical and also the most reliable over the entire product life. From solution finding to resale.

- **Better solutions**
- **Better efficiency**
- **Better ergonomics**
- **Higher availability**
- **More reliability**
- **Better ecology**
- **Higher serviceability**
- **Higher value retention**



POWER AND INTELLIGENCE IN PERFECT INTERACTION

- More lifting power due to S-HPLS
- More efficient and faster through continuous slewing system
- Additional applications due to Power Link Plus
- Increased operating times due to low-maintenance extension system
- Higher payloads due to intelligent lightweight design





PERFECT TOOL WITH SOPHISTICATED KINEMATICS

12 Highlights



Continuous slewing system

Unrestricted movement

More efficient in operation due to faster loading cycles, since the crane can be slewed over a shorter distance. The crane works more efficiently and faster.



Power Link Plus

High variety of uses

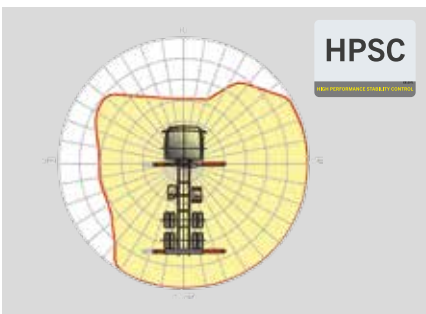
With the 15-degree reverse linkage system, you can reach through low door openings and also work inside buildings. Heavy crane work – even in difficult conditions.



Low-maintenance extension system

Reduces service time

With sliding elements made of synthetic material and the high-quality KTL coating, this boom system significantly simplifies service performed by the operator. This saves time and money – and protects the environment.



HPSC

Maximum utilisation of the working range

The variable stabiliser positioning of the High Performance Stability Control System makes it possible to utilise the lifting capacity to the maximum. It enables working within tight spaces.



S-HPLS

More lifting power when it is really needed

S-HPLS is one of the most important functions of the PALTRONIC 150. It is a fully automatic system for increasing the lifting power. Depending on the need, there is continuous adaptation of the lifting power and speed of the crane.



PALcom P7

Communication with the operator

The new PALcom P7 features a modern, ergonomic design. The centrally located knob „PALdrive“ and a large colour display enables easy and safe operation.



Power Link cable winch

More comfort in cable winch operation

Characterised by low installation height, it is ideal for working inside buildings and transports with the crane boom unfolded. The Comfort Cable Routing reduces set-up times to a minimum.



Functional design

Practical and attractive

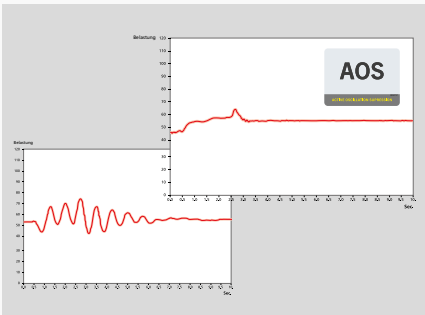
Robust plastic covers protect crane parts against dirt and damage. Better appearance and increased operational comfort – during the entire lifetime.



Coating technology

Top quality surface protection at a glance

The KTL coating lays the foundation for a perfect surface protection. Afterwards the components are either coated in the powder-coating facility or are finished with a two-components-topcoat. High value retention and excellent corrosion protection for the whole life of a crane.



AOS

Maximum precision and safety

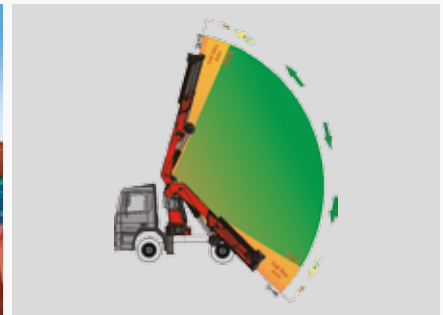
The active oscillation suppression system prevents „post-oscillation“ in the event of rapid braking or load changes. The stress peaks on the extension boom system are reduced and material fatigue and wear are minimised. This increases the resale value.



DPS Plus

More efficient fly-jib operation

The Dual Power System allows multiple uses of the crane both for large outreaches as well as for heavy load operation.



Soft Stop function

More comfort and safety

The Soft Stop function is an electronic limit position damper. It causes gentle braking of all crane movements before the limit position is reached. Hence, jerky movements and load impacts can be avoided. The crane can be operated more gently and precisely.



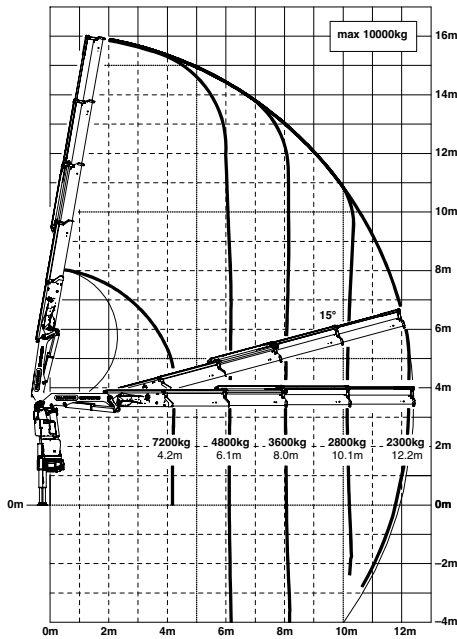
*Optional features / country-specific equipment

PK 34002 SH

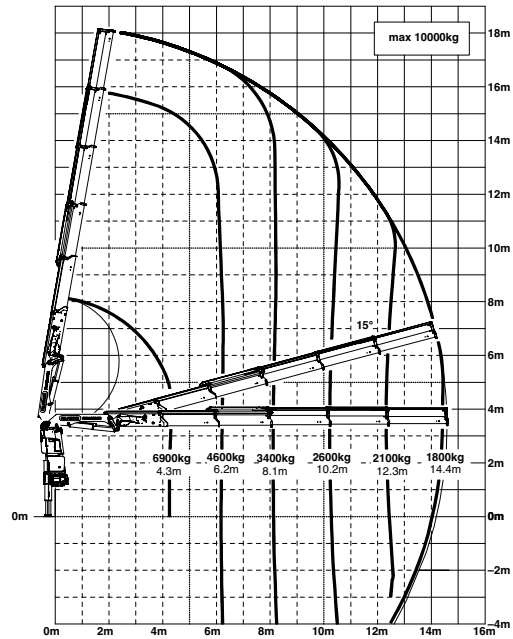
HIGH PERFORMANCE

More lifting power when it is really needed.

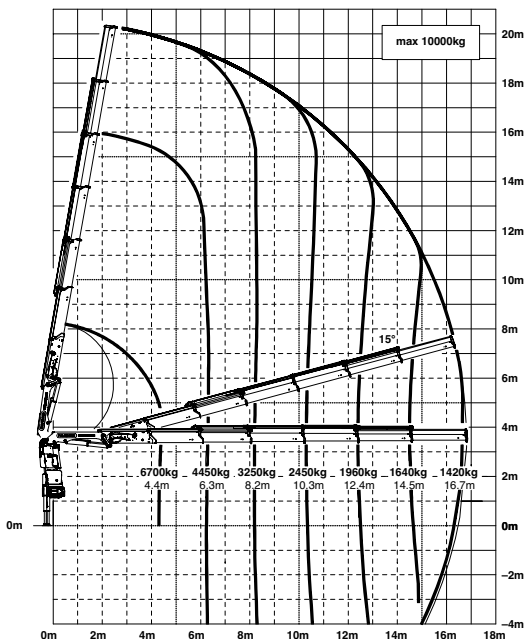
C



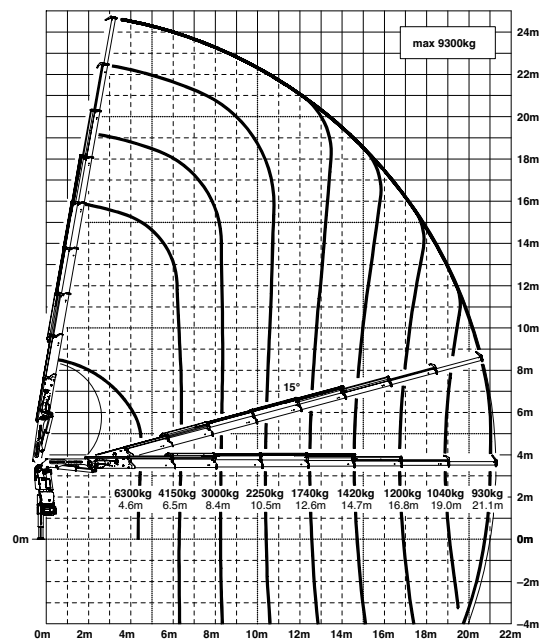
D



E



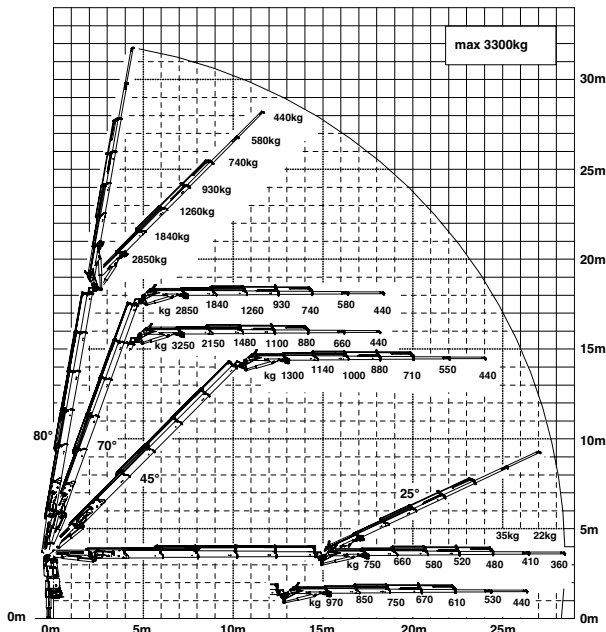
G



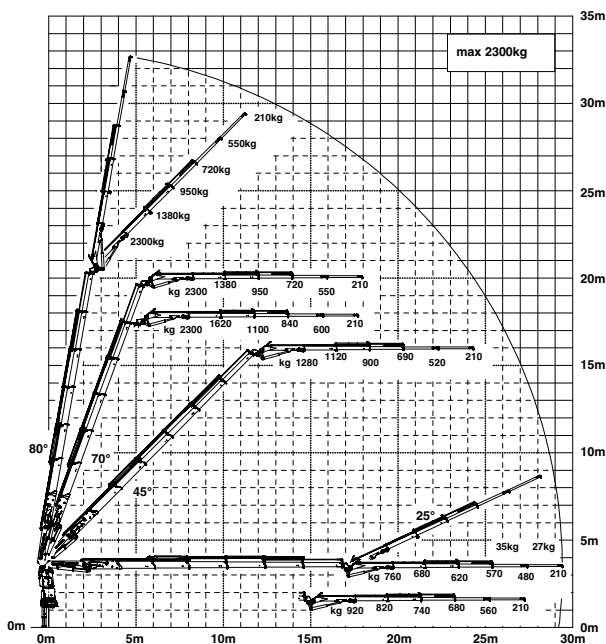
The outreaches stated are with a boom angle of 20° and are therefore not the maximum.

Lifting capacities

D PJ080C JV2 DPS PLUS



E PJ060B JV2 DPS PLUS



max.		10000 kg	22040 lbs	A
4.1 m	13' 5"	7800 kg	17100 lbs	
6.0 m	19' 8"	5300 kg	11600 lbs	
7.9 m	25' 11"	4000 kg	8800 lbs	

max.		10000 kg	22040 lbs	B
4.2 m	13' 9"	7500 kg	16500 lbs	
6.1 m	20' 0"	5100 kg	11100 lbs	
8.0 m	26' 3"	3800 kg	8400 lbs	
10.1 m	33' 2"	3000 kg	6600 lbs	

max.		10000 kg	22040 lbs	C
4.2 m	13' 9"	7200 kg	15800 lbs	
6.1 m	20' 0"	4800 kg	10600 lbs	
8.0 m	26' 3"	3600 kg	7900 lbs	
10.1 m	33' 2"	2800 kg	6100 lbs	
12.2 m	40' 0"	2300 kg	5100 lbs	
14.4 m*	47' 3"	1880 kg	4150 lbs	
16.6 m*	54' 6"	1540 kg	3450 lbs	

max.		10000 kg	22040 lbs	D
4.3 m	14' 1"	6900 kg	15300 lbs	
6.2 m	20' 4"	4600 kg	10200 lbs	
8.1 m	26' 7"	3400 kg	7500 lbs	
10.2 m	33' 6"	2600 kg	5800 lbs	
12.3 m	40' 4"	2100 kg	4650 lbs	
14.4 m	47' 3"	1800 kg	3950 lbs	
16.7 m*	54' 9"	1480 kg	3300 lbs	
18.8 m*	61' 8"	1240 kg	2800 lbs	

max.		10000 kg	22040 lbs	E
4.4 m	14' 5"	6700 kg	14800 lbs	
6.3 m	20' 8"	4450 kg	9800 lbs	
8.2 m	26' 11"	3250 kg	7100 lbs	
10.3 m	33' 10"	2450 kg	5400 lbs	
12.4 m	40' 8"	1960 kg	4350 lbs	
14.5 m	47' 7"	1640 kg	3650 lbs	
16.7 m	54' 9"	1420 kg	3150 lbs	
18.8 m*	61' 8"	1200 kg	2700 lbs	
21.0 m*	68' 11"	1000 kg	2200 lbs	

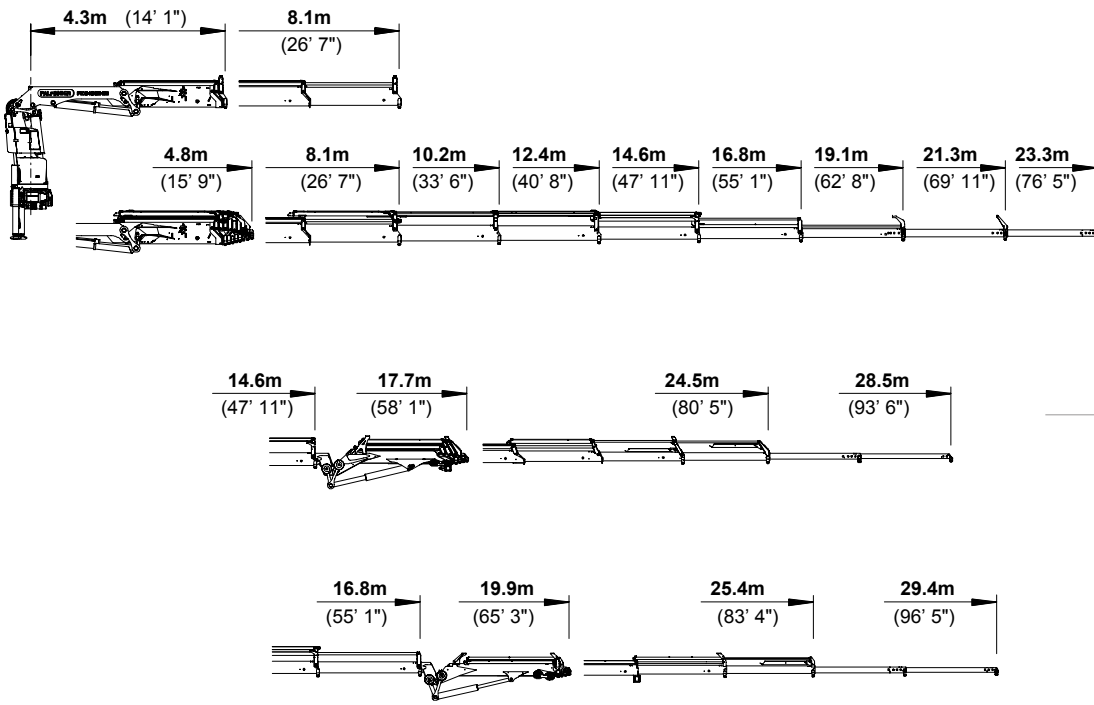
max.		9600 kg	21160 lbs	F
4.5 m	14' 9"	6500 kg	14300 lbs	
6.4 m	20' 12"	4300 kg	9500 lbs	
8.3 m	27' 3"	3100 kg	6900 lbs	
10.4 m	34' 1"	2350 kg	5200 lbs	
12.5 m	41' 0"	1860 kg	4100 lbs	
14.6 m	47' 11"	1540 kg	3400 lbs	
16.7 m	54' 9"	1320 kg	2900 lbs	
18.9 m	62' 0"	1160 kg	2550 lbs	
21.1 m*	69' 3"	1000 kg	2200 lbs	
23.1 m*	75' 9"	570 kg	1260 lbs	

max.		9300 kg	20500 lbs	G
4.6 m	15' 1"	6300 kg	13900 lbs	
6.5 m	21' 4"	4150 kg	9100 lbs	
8.4 m	27' 7"	3000 kg	6600 lbs	
10.5 m	34' 5"	2250 kg	4900 lbs	
12.6 m	41' 4"	1740 kg	3850 lbs	
14.7 m	48' 3"	1420 kg	3150 lbs	
16.8 m	55' 1"	1200 kg	2650 lbs	
19.0 m	62' 4"	1040 kg	2300 lbs	
21.1 m	69' 3"	930 kg	2050 lbs	
23.1 m*	75' 9"	570 kg	1260 lbs	

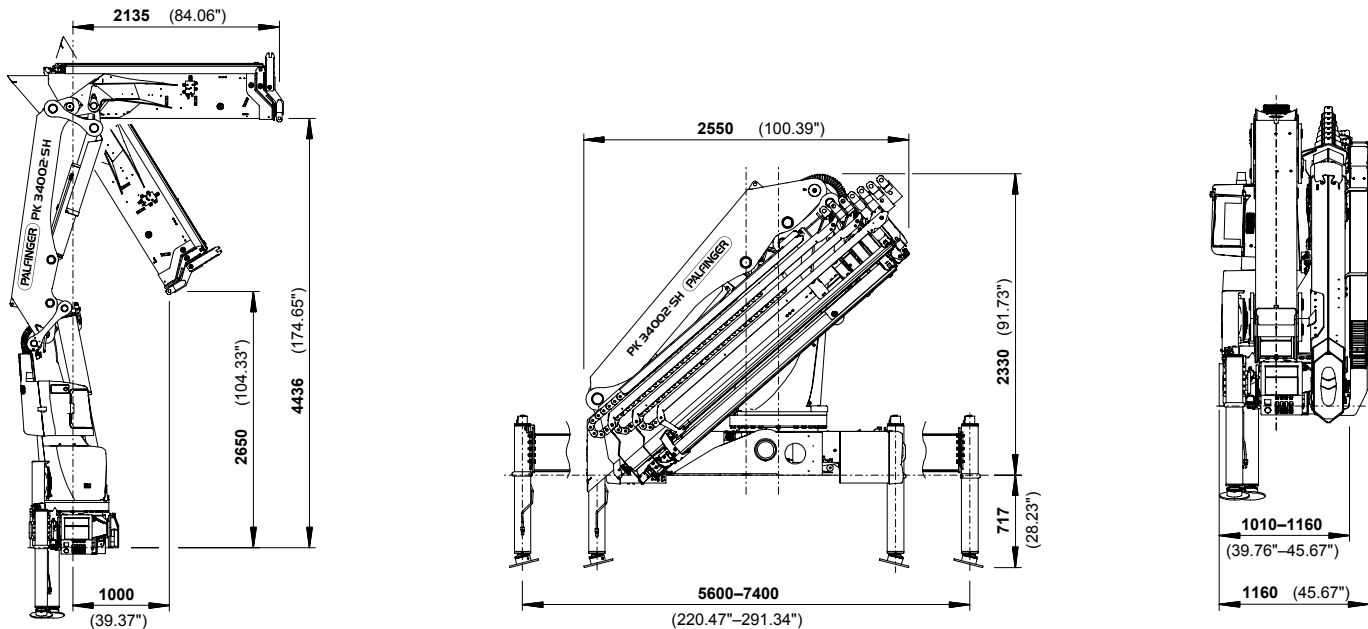
*mechanical extension

PERFECT DIMENSIONS

EXTENSION BOOM VARIATIONS



DIMENSIONS



Technical specifications

EN 12999 HC1 HD5/B3

PK 34002 SH

Max. lifting moment	32.6 mt/320.0 kNm	236000 ft.lbs
Max. lifting capacity	10000 kg/98.1 kN	22050 lbs
Max. hydraulic outreach	21.3 m	69' 11"
Max. manual outreach	23.3 m	76' 5"
Max. outreach (with fly-jib)	29.4 m	96' 5"

Slewing angle	endless	
---------------	---------	--

Slewing torque with 1 gear	3.3 mt/32.4 kNm	23880 ft.lbs
----------------------------	-----------------	--------------

Slewing torque with 2 gears	4.0 mt/39.2 kNm	28940 ft.lbs
-----------------------------	-----------------	--------------

D PJ080C JV2

Stabiliser spread (std./max.)	5.6 m/18' 4"	7.4 m/24' 3"
-------------------------------	--------------	--------------

Fitting space required (std.)	1.01 m	3' 4"
-------------------------------	--------	-------

Width folded	2.55 m	8' 4"
--------------	--------	-------

Max. operating pressure	365 bar	5293 psi
-------------------------	---------	----------

Recommended pump capacity	from 90 l/min to 120 l/min	23.8 US gal./min 31.7 US gal./min
---------------------------	-------------------------------	--------------------------------------

E PJ060B JV2

Dead weight (std.)	2931 kg	6460 lbs
--------------------	---------	----------



KP-HPK34002SHM2+EN

Cranes shown in the leaflet are partially optional equipped and do not always correspond to the standard version. Country-specific regulations must be observed. Dimensions may vary. Subject to technical changes, errors and translation mistakes.